

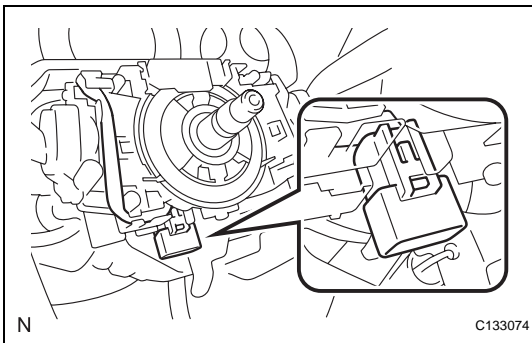
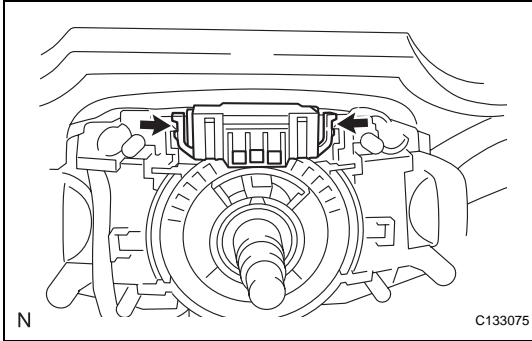
## INSTALLATION

### 1. PRECAUTION

(See page [RS-1](#))

### 2. INSTALL STEERING ANGLE SENSOR

(a) Install the steering angle sensor.



(b) Connect the harness and steering angle sensor connector.

(c) Connect the steering sensor connector.

### 3. INSTALL SPIRAL CABLE (See page [RS-358](#))

### 4. INSTALL UPPER STEERING COLUMN COVER (See page [SR-17](#))

### 5. INSTALL LOWER STEERING COLUMN COVER (See page [SR-18](#))

### 6. ADJUST SPIRAL CABLE (See page [RS-359](#))

### 7. INSTALL STEERING WHEEL ASSEMBLY (See page [SR-18](#))

### 8. INSPECT STEERING WHEEL CENTER POINT

### 9. INSTALL STEERING PAD (See page [RS-346](#))

### 10. INSTALL STEERING WHEEL COVER LOWER NO.2 (See page [RS-347](#))

### 11. INSTALL STEERING WHEEL COVER LOWER NO.3 (See page [RS-347](#))

### 12. CONNECT CABLE TO NEGATIVE BATTERY TERMINAL

Torque: 3.9 N\*m (40 kgf\*cm, 35 in.\*lbf)

### 13. INSPECT STEERING PAD (See page [RS-347](#))

### 14. PERFORM INITIALIZATION

(See page [IN-31](#))

### 15. INSPECT SRS WARNING LIGHT

(See page [RS-29](#))